

Handrails

KOROSEAL Wall Protection Systems Korowood™ HW20-TP & HW40-TP Handrail

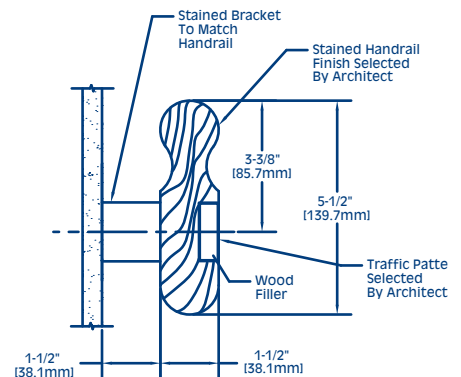
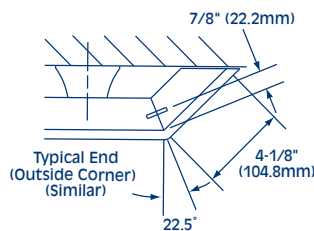
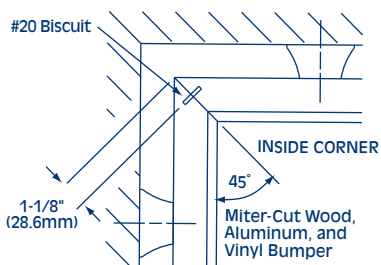
Recommended Installer Qualifications: Only those parties experienced in working with finished fine wood products should engage in installing Korowood™ Handrail.

Recommended Installation Equipment: Compound Radial Arm Saw or Power Miter Box with 12" (304.8mm) sharp carbide-tipped Alternating Tooth Bevel-Positive Hook 80-100 teeth blade, Power Biscuit Cutter, Tape Measure, Level, Chalk Line, Utility Knife, Drill, Drill Bits, Screwdriver, Sanding Block, Wood Glue, Removable Marker, Cleaning Cloth, Suitable 1/4" (6.4mm) x 5" (127.0mm) Long Mounting Fasteners, and Finishing Nails.

1. Locate and install **Korowood** Handrail in accordance with architectural drawings and specifications. When required, **Korogard**® shop drawings should be used in conjunction with these documents.
2. Lay out work to be completed, including all component parts, along base of substrate (wall). Check material for any damage that may have occurred during shipment and/or handling at job site.
3. Snap chalk line at proper location on substrate to ensure level installation. Chalk line should be calculated to center line of mounting bracket wall fasteners.

Note: Chalk line will be visible after installation and must be removed at cleanup. The wood filler insert is to be installed in cutout on face of rail using wood glue and finishing nails as necessary.

4. Determine cut length of rail by locating ends on substrate, measure distance, and allow 3-1/2" (88.9mm) at end returns, 3" (76.2mm) at substrate inside corners, and 0" (0mm) at substrate outside corners. Mark Handrail at face of wood and miter-cut rail in appropriate direction to appropriate length. Miter ends at end returns and outside corners to 22-1/2° and ends at inside corners to 45° (see details). Use care to assure accurate and clean cuts. (Wrap finished rail with masking tape at location of cut and cut so that saw blade rotates into face of rail as it cuts.)
5. Using a biscuit cutter, set blade for #20 biscuits and slot ends 7/8" (22.2mm) from wood face of rail to match mating pieces except at 45° miters (inside corners); here locate slot 1-1/8" (57.6mm) from back of rail.



Model HW20-TP

Handrails

KOROSEAL Wall Protection Systems Korowood™ HW20-TP & HW40-TP Handrail

6. If structural cross-blocking has been incorporated in substrate construction, drill 9/32" (7.2mm) holes through Handrail along center line of recess at 3" (76.2mm) to 6" (152.4mm) in from each end of rail and intermediate locations not exceeding 32" (812.8mm) O.C. Then place wood rail in proper position on chalk line and mark hole locations on substrate. Drill holes in substrate using proper bit size for selected fasteners and proceed to instruction #9. If only vertical studding is available, refer to instruction #8.
7. Locate centers of vertical studs in substrate, place sized rail in proper position against wall, and transfer locations of same to center line of recess. Drill 9/32" (7.2mm) holes through Handrail along center line of retainer at these locations closest to each end of rail and at intermediate locations not greater than 32" (812.8mm) apart. Replace wood rail in proper position on chalk line and mark hole locations on substrate. Drill holes in substrate using proper bit size for selected fasteners.
Note: In all cases, Handrail is to be anchored only to the structural framing of the substrate.
8. Using wood glue (supplied by installer), glue #20 biscuits (supplied by **KOROSEAL**) in rail ends and trial-fit adjoining piece to assure proper fit. If satisfactory, assure that surfaces to be glued are clean and unfinished (sand if required) and glue adjoining parts together, carefully aligning parts. Allow glue to set and wipe any excess from joint with water-moistened cloth. Where possible, join parts prior to mounting rail to substrate.
9. Mount rail to substrate using proper fasteners (supplied by installer). Tighten securely.
Note: Prior to installation of Traffic Patterns® insert, make sure all fasteners are secured and properly seated.
10. Determine cut length of **Traffic Patterns** insert by measuring face of entire Handrail or using cut lengths of rail and adding 4-1/8" (104.8mm) for end returns and 4-1/4" (108mm) for outside corners. Traffic Patterns is to be continuous, terminated at end of end returns, and interrupted only at inside corners. Mark the measurements on the face of insert, using a soft pencil or other removable marker. Cut ends of insert to 45° in the appropriate direction using a scrap piece of wood insert as holding fixture. Mark location of 45° Handrail joints on insert and, using utility knife, notch legs of insert to allow it to bend around turns.
11. Install **Korogard® Traffic Patterns** insert by removing adhesive backing. Match up and install insert at corners, seating insert there and proceeding out to each end. Repeat as necessary.
12. Clean **Korowood™** Handrail using water-moistened cloth. Use the **Korowood** Touch-Up Kit provided to repair stained wood where minor damages or blemishes may have occurred during installation. Touch-Up Kits are not provided for "clear varnish" finished Handrails. Use Minwax® brand "Satin Sheen Polyurethane" or equal to overcoat repairs to all finishes.
13. If there are any questions, please call your local **Korogard** representative.



KOROGARD®
WALL PROTECTION SYSTEMS

800-628-0449 • www.korogard.com • Division 10 26 00

Korogard®, Korowood™, and Traffic Patterns® are registered trademarks of RJF International Corporation.

Handrails

KOROSEAL Wall Protection Systems Korowood™ HW20-TP & HW40-TP Handrail

HW20-TP shown

