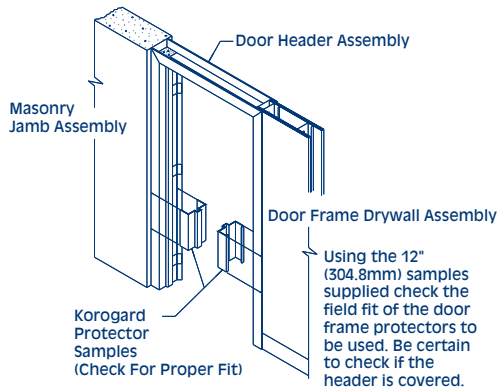


Door & Door Frame Protection

KOROSEAL Wall Protection Systems

Korogard® Door Frame Protector



Step 1:

Locate and install **Korogard®** Door Frame Protectors in accordance with drawings and specifications. When required, shop drawings should be used in conjunction with these installation instructions.

The following are basic tools required to properly install **Korogard** Door Frame Protectors:

1. Putty knife
2. Large Phillips screwdriver
3. Utility knife
4. Cardboard sheet or polyethylene plastic
5. Masking tape
6. Drop cloth
7. Fine sandpaper
8. White cleaning cloth
9. Standard industrial cleaner
10. Small paint brush
11. Combination square
12. Miter box and saw

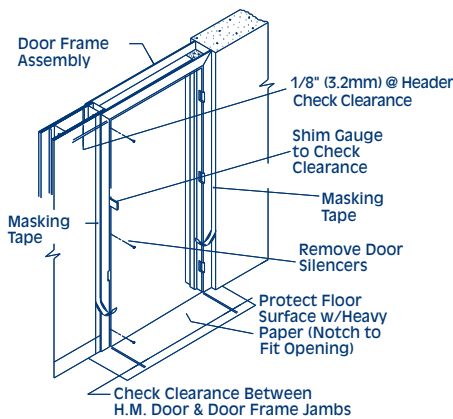
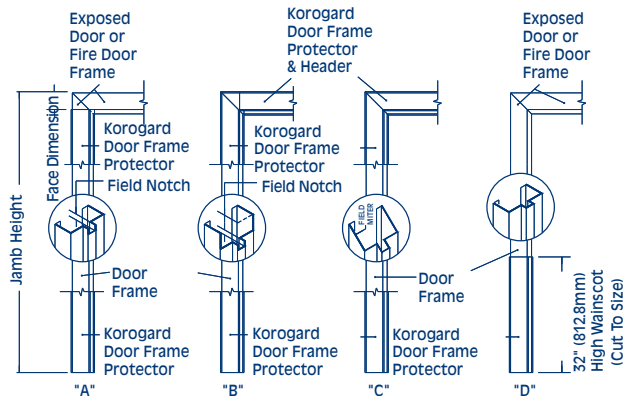
Step 2:

"A" Recommended notched detail when only vertical jamb is protected.

"B" Optional corner detail for complete frame coverage at header and jamb.

"C" Optional corner detail mitered, complete frame coverage at header and frame.

"D" Square cut wainscot application.



Step 3:

To ensure proper installation, we suggest the following installation procedures be observed:

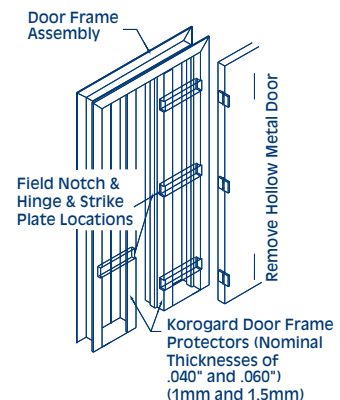
1. Check the door clearance by using the frame sample supplied. Check both the header and the header frame.
2. Tape all finished wall surfaces to protect the existing wall finish.
3. Remove any rubber door silencers or protrusions from face of frame to be covered.

Note: Rubber silencers must be replaced at finish of installation.

4. Remove door, door closure, hinges, and strike plate from frames.

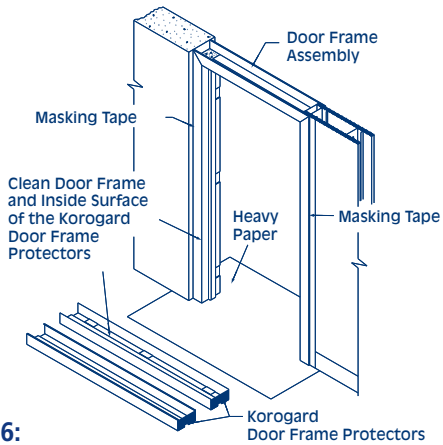
Step 4:

1. Continue installation by notching or mitering the top of each door frame protector. Cut the cover to the proper length; pieces will be supplied oversize for field trimming. When both jamb and header are to be covered, be certain to cut accurately.
2. Place the **Korogard** cover at the top of the hinge side of the door frame and mark location of the door hinges. Field-cut these areas.
3. Repeat Step 2 on the opposite frame for the strike plate.
4. If the header is not to be covered, place both frame protectors in position. Measure, then notch or miter one end of the header piece, and then field cut opposite end. The joint should have a neat and clean appearance.



Door & Door Frame Protection

KOROSEAL Wall Protection Systems Korogard® Door Frame Protector

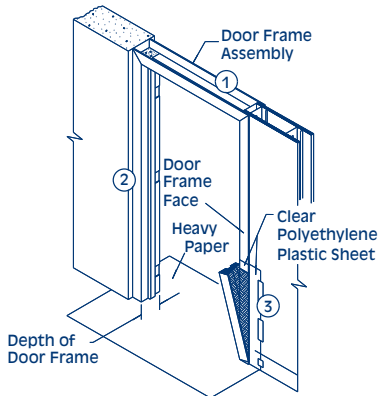


Step 6:

Prior to the application of the contact adhesive, please read the manufacturer's recommended safety instructions and directions for use.

1. Apply one uniform coat of adhesive on the entire door frame surface to be covered. It is suggested that masking tape be used to create a "tape line" on wainscot.
2. Allow contact adhesive to dry thoroughly (approximately 45 minutes).
3. Apply contact adhesive to the inside surface of each **Korogard** Door Frame Protector; let dry as noted above.

Note: Do not allow dried contact cement to touch the exposed surface of the frame. This will bond instantly.

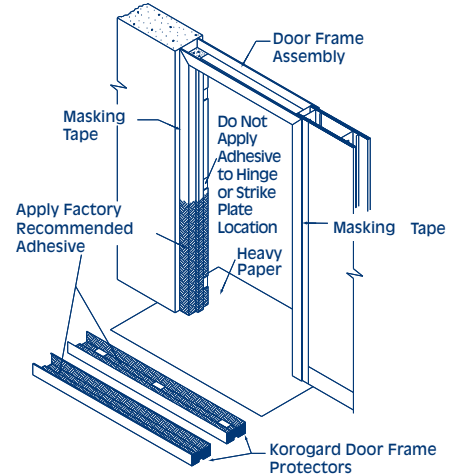


Step 8:

1. After all installation work is completed, carefully remove all masking tape.
2. Prior to replacing the door, be certain all hinge and strike plates have been neatly trimmed; at this time, reinstall rubber silencers and surface hardware.
3. Reinstall door and check for function and fit. The door should close and latch securely without any resistance.
4. Clean the surface of the **Korogard** Door Protector with any standard cleaner. Rinse with clean water and wipe dry with a clean white cloth.
5. Remove all refuse from the area and clean any adjacent surfaces as required.

Step 5:

1. Apply masking tape to exposed finish wall area to protect from over-application of contact adhesive.
2. Thoroughly clean frame with any standard cleaner to remove oily film and residue.
3. If the door frame has been previously painted, check for loose paint or drip build-up. Build-up may prevent proper fit. Remove any loose or excessive paint with a putty knife and then sand lightly to smooth surface.
4. Wipe entire surface with industrial cleaner and a clean cloth.



Step 7:

After the contact adhesive has completely dried, continue the installation as follows:

1. As a slip sheet attach either polyethylene or cardboard sheet approximately 12" (304.8mm) wide of the door frame as shown. This material is being used for positioning of the Frame Protector and will be removed.
2. Tilt the Door Frame Protector and slide the bottom portion of the protector over the door frame face; gradually position to the face.
3. Once the protector is securely attached to the frame, remove the slip sheet from the outside edges. After the slip sheet is removed and the protector is properly seated, rub the entire surface using a clean cloth. Apply heavy pressure to ensure proper bond between surfaces.
4. If both jamb and header are to be covered, start the installation with the header cover. (Note the number sequence on the drawing.)
5. Using a sharp utility knife, neatly trim the **Korogard** cover along the hinge recesses by allowing the blade to ride the inside lip or edge of the opening. Continue this process until all hinges and strike plate location are neatly trimmed.

